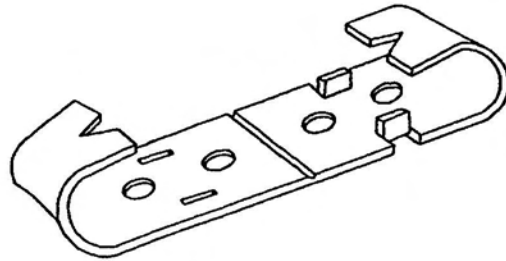


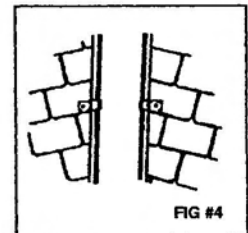
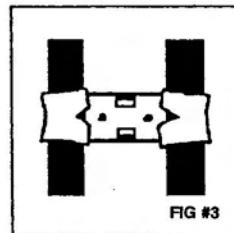
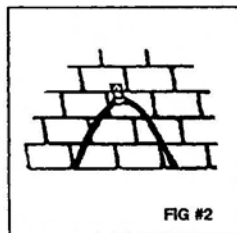
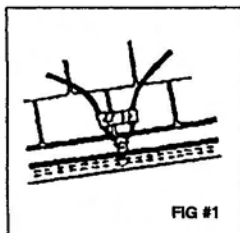
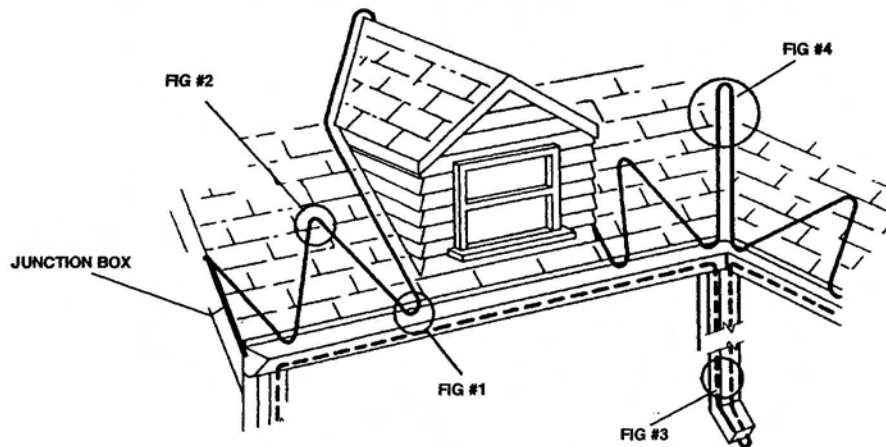
Roof De-icing Cable Clip Installation Instructions



TOOLS REQUIRED Linesmans Pliers*

THE ROOF CLIPS ARE DESIGNED TO FASTEN HEATING CABLE TO MOST TYPES OF ROOF AND GUTTER MATERIALS. PLEASE READ AND FOLLOW INSTRUCTIONS CAREFULLY. DO NOT USE OTHER HARDWARE OR TECHNIQUES; DAMAGE TO THE HEATING CABLE COULD CAUSE OVERHEATING AND RESULT IN ELECTROCUTION OR FIRE.

CAUTION: ALL ELECTRICAL CONNECTIONS SHOULD BE COMPLETED BY AN ELECTRICIAN.



* ADDITIONAL TOOLS AND SUPPLIES WILL DEPEND ON ROOFING MATERIAL AND SELECTED METHOD OF SECURING CLIP.

1. Fasten all clips to roof before attaching heating cables. Clips can be fastened with roofing nails or screws. Be sure to apply sufficient sealing material to clip and clip fastener to prevent moisture leakage.*
2. Full-sized clips are used to secure bottom looped cable ends (Fig #1) and to space cables in gutters or straight runs.
3. Clips can be transformed from standard configurations to the following two configurations:

END LOOP RETAINER

Each clip can be broken into two end loop retainers. This is accomplished by bending the clip back and forth at the center scoreline (Fig A). Bend tabs flat with pliers (Fig B). The end loop retainers are used to fasten top cable loops (Fig #2) or for fastening cable to valleys (Fig #4).

SHORTENED CLIP SPACER

Break clip as above. Slide piece with tabs into slots of second piece (Fig C). Clamp pliers between one tab and the outside edge of the clip and bend tabs towards outer edges (Fig D).

The shortened clip is used in gutters not deep enough to accommodate the full size clip. It is also used to space the cable in downspouts. In downspout applications the clips should be spaced every 24 inches (Fig #3).

SECURING CABLE TO CLIP

Position the cable in the clip and carefully close the clip opening taking care not to over tighten and damage the cable.

* Sealant used must not react with the cable materials or cause damage to the cables

